

LAST MAIN REALIZATIONS :

JANUARY 2016 :

CLIENT : ***** S.P.A.
OBJECT : ENGINEERING AND CONSTRUCTION OF A THERMOCOMBUSTION PLANT WITH A POTENTIALITY OF 1.000.000 KCAL/H,
FOR THE TREATMENT OF:
☞ METAL WASTE (FOR THE RECOVERY OF THE PRECIOUS METAL)
☞ SOLID/LIQUID SPECIAL WASTES

SCOPE OF SUPPLY:

- ☞ WASTES CHARGING SYSTEM
- ☞ ROTARY KILN Ø 2.00 x 8.000 MM
- ☞ POST-COMBUSTION CHAMBER Ø 3.30 x 9.500 MM
- ☞ DISCHARGING SYSTEM FOR THE TREATED WASTES



JANUARY 2016 :

CUSTOMER : ***** S.P.A.
OBJECT :
☞ POSTCOMBUSTION CHAMBER (ØINT. 2.700 x 12.700 MM) COMPLETED OF EMERGENCY DUMPER –
PRODUCTION SITE : AREZZO
☞ POSTCOMBUSTION CHAMBER (ØINT. 2.250 x 6.160 MM) – PRODUCTION SITE : SANDRIGO (VI)

SCOPE OF SUPPLY:

- ☞ ENGINEERING AND CONSTRUCTION
- ☞ PROCESS BURNERS/AIR FANS
- ☞ AUTOMATIC EMERGENCY DUMPER
- ☞ DILATATION JOINT FOR THE FUMES OUTLET CONDUCT
- ☞ INSTALLATION SUPERVISION



AUGUST 2016 :

CLIENT : ***** S.P.A.
OBJECT : DRYER SHELL WITH INNER SLEEVE (STEAM INDIRECT HEATING DRYER)

SCOPE OF SUPPLY:

- ☞ ENGINEERING
- ☞ DRYER ØEXT. 2.190 x 12.750 MM
- ☞ HYDRAULIC TEST AND ITALCERT CERTIFICATION



DECEMBER 2016 – JANUARY 2017:

CLIENT : CHEMVIRON ITALIA S.R.L.
OBJECT : REVAMPING ROTARY KILN (Ø2.0 x 18 M) ATTIVATION/REATTIVATION CARBON

SCOPE OF SUPPLY:

- ☞ SUPPLY AND INSTALLATION NEW PINION
- ☞ MACHINING RIDING RINGS/ROLLERS
- ☞ ROTATION GIRTH GEAR
- ☞ ROTARY KILN ALIGNMENT
- ☞ SUPPLY AND INSTALLATION INLET SLIDING SEAL
- ☞ SUPPLY AND INSTALLATION LUBRICATION UNIT FOR GIRTH GEAR - PINION

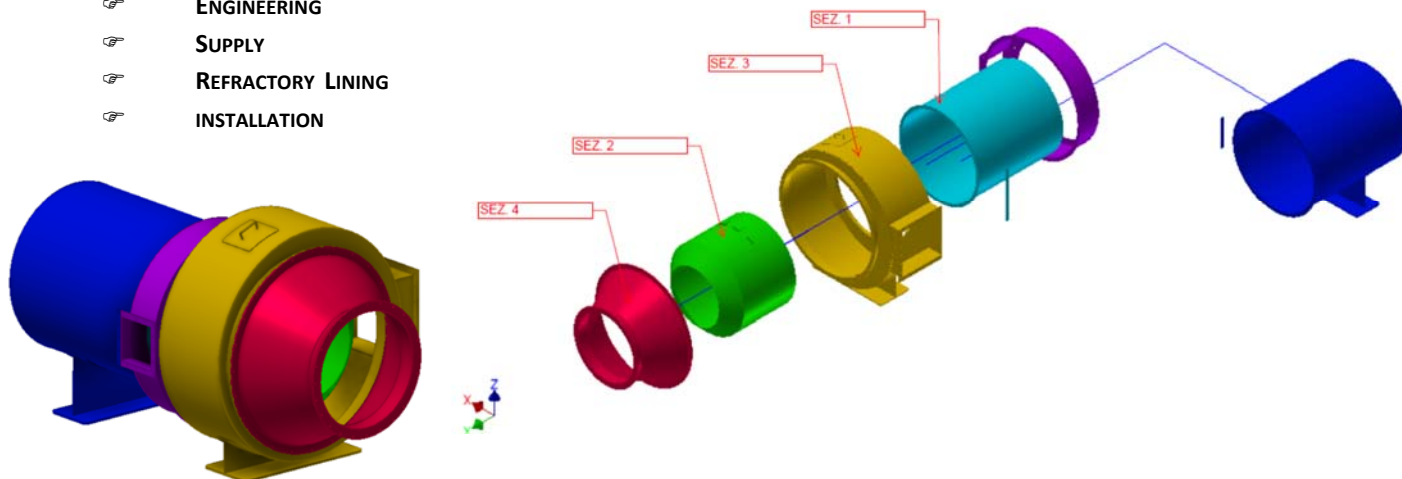


AUGUST 2017:

CLIENT : *****
OBJECT : PEABODY KILN (HOT GAS GENERATOR)

SCOPE OF SUPPLY:

- ☞ ENGINEERING
- ☞ SUPPLY
- ☞ REFRACTORY LINING
- ☞ INSTALLATION



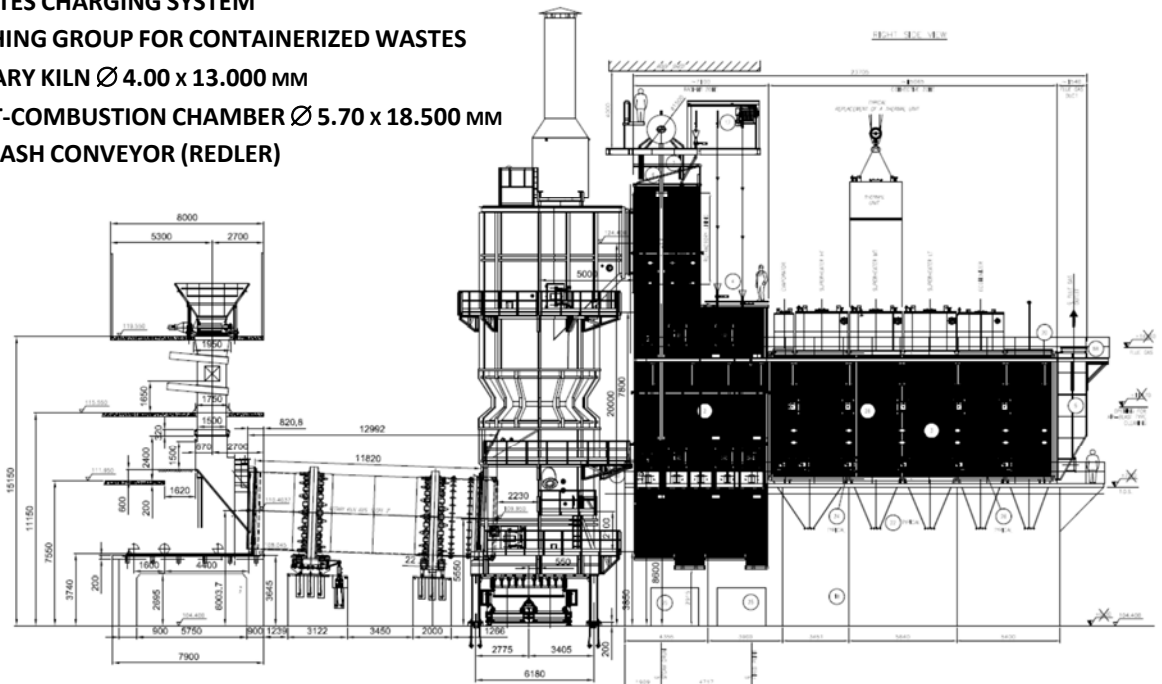


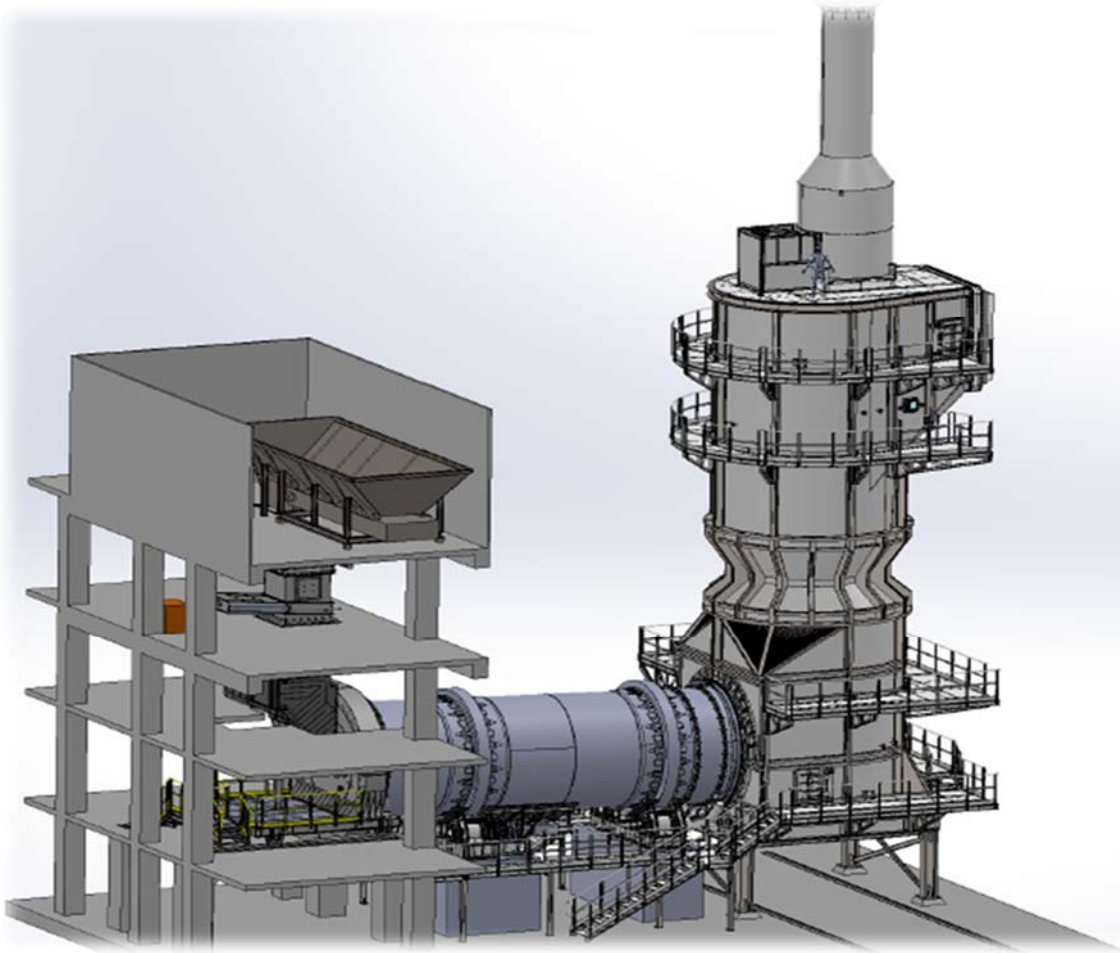
APRIL 2017 – (INSTALLATION 2019) :

CLIENT : *****
OBJECT : ENGINEERING AND CONSTRUCTION OF A THERMOCREATION PLANT FOR THE TREATMENT OF:
☛ SOLID INDUSTRIAL / MEDICAL WASTES
☛ LIQUID SPECIAL WASTES

SCOPE OF SUPPLY:

- ☛ WASTES CHARGING SYSTEM
- ☛ PUSHING GROUP FOR CONTAINERIZED WASTES
- ☛ ROTARY KILN \varnothing 4.00 x 13.000 MM
- ☛ POST-COMBUSTION CHAMBER \varnothing 5.70 x 18.500 MM
- ☛ WET ASH CONVEYOR (REDLER)





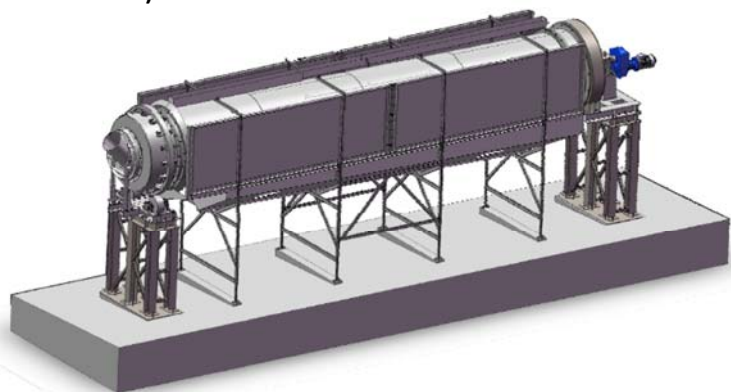
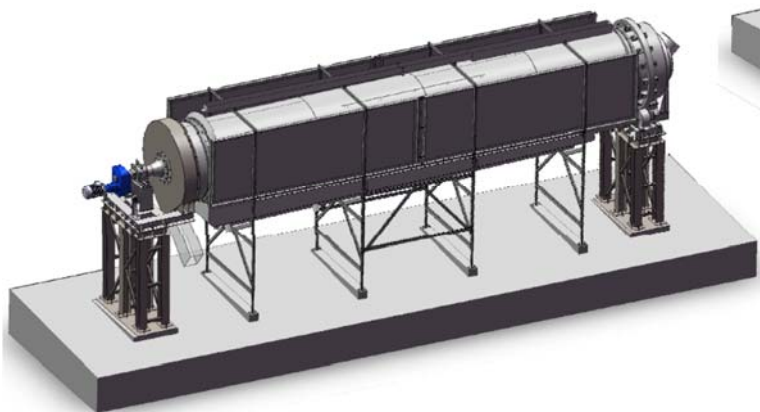


OCTOBER 2017 – DECEMBER 2017 :

CLIENT : ***** - BELGIO
OBJECT : ROTARY COOLER (MECHANICAL DESIGN / THERMAL PROCESS)

SCOPE OF SUPPLY:

- ☛ EXECUTIVE ENGINEERING
- ☛ THERMAL PROCESS
- ☛ REALIZATION (2020-2021)



NOVEMBER 2017 – JANUARY 2018 :

CLIENT : CHEMVIRON ITALIA S.R.L.
OBJECT : ELECTRICAL AND CONTROL REVAMPING OF TREATMENT PLANT FOR ACTIVATED CARBON
☛ ENGINEERING, REALIZATION AND INSTALLATION OF ELECTRICAL PLANT, CONTROL PANEL AND CONTROL SOFTWARE

SCOPE OF SUPPLY:

- ☛ EXECUTIVE ENGINEERING
- ☛ CONTROL PANEL
- ☛ CONTROL SOFTWARE
- ☛ NEW BURNER
- ☛ INSTALLATION



NOVEMBER 2017 – JANUARY 2018 :

CLIENT : CHEMVIRON ITALIA S.R.L.
OBJECT : LOAD/UNLOAD LEAF SEALS FOR ROTARY KILN (MECHANICAL DESIGN/CONSTRUCTION/INSTALLATION)

SCOPE OF SUPPLY:

- ☛ EXECUTIVE ENGINEERING
- ☛ CONSTRUCTION
- ☛ INSTALLATION

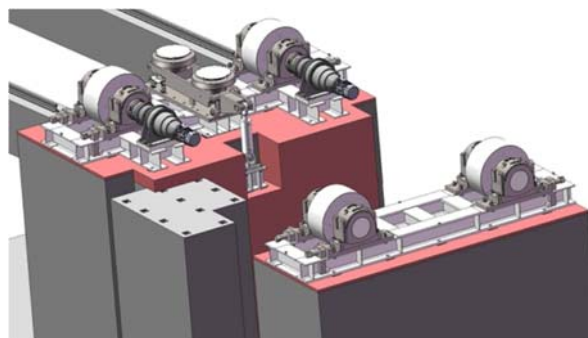
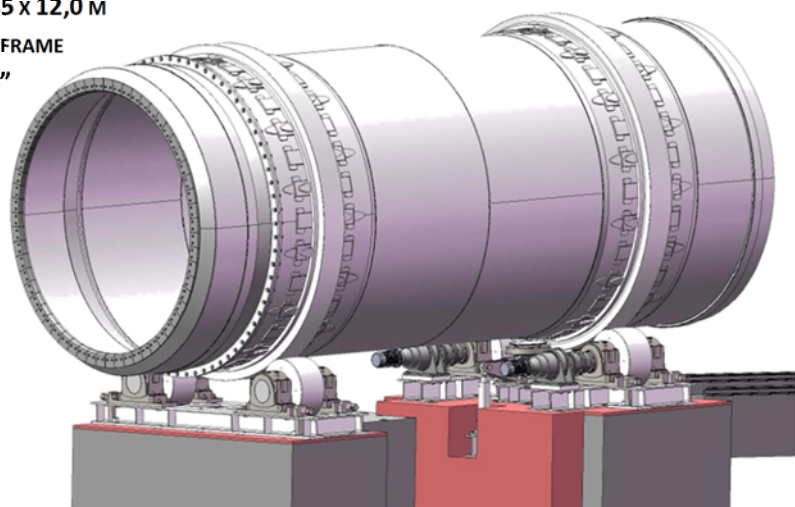


JANUARY 2018 – DELIVERY AUGUST 2018 (INSTALLATION AUGUST 2018 - SEPTEMBER 2018) :

CLIENT : *****
OBJECT : ENGINEERING AND CONSTRUCTION OF A ROTARY KILN FOR A THERMOCREATION PLANT FOR THE TREATMENT OF:
☞ SOLID INDUSTRIAL / MEDICAL WASTES
☞ LIQUID SPECIAL WASTES

SCOPE OF SUPPLY:

- ☞ ROTARY KILN FOR HAZARDOUS WASTES – Ø 4,85 x 12,0 M
- ☞ DRIVE ROLLERS BASEFRAME / FREE ROLLERS BASEFRAME
- ☞ LOAD / UNLOAD SEALS - “FEMA DRAGGING SEAL”
- ☞ HYDRAULIC POWER UNIT
- ☞ TRANSPORT
- ☞ INSTALLATION





INSTALLATION WORKS



AUGUST 2018 – INSTALLATION FEBRUARY/MARCH 2019 :

CLIENT : **CHEMVIRON ITALIA S.R.L.**
OBJECT : **ENGINEERING AND CONSTRUCTION OF A SCRUBBER TOWER:**

SCOPE OF SUPPLY:

- 🔧 ENGINEERING
- 🔧 CONSTRUCTION
- 🔧 INSTALLATION



SEPTEMBER 2018 – DELIVERY MARCH 2019 :

CLIENT : **COLACEM S.P.A.**
OBJECT : **ENGINEERING AND CONSTRUCTION OF A ROTARY KILN INLET SECTION FOR CEMENT PLANT (CARAVATE)**

SCOPE OF SUPPLY:

- 🔧 ROTARY KILN INLET SECTION – ØEXT 4,63 x 2,0 M, CONSTRUCTION
- 🔧 MECHANICAL MACHINING
- 🔧 TRANSPORT





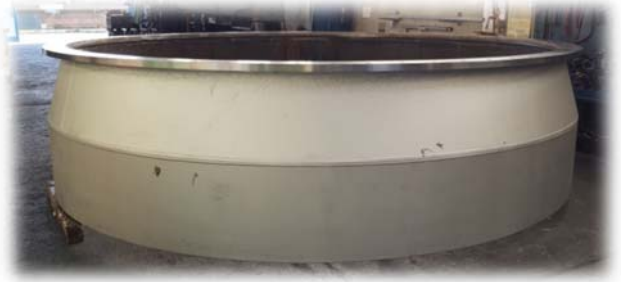
OCTOBER 2018 – INSTALLATION MARCH 2019 :

CLIENT : ***** [FRANCE]
OBJECT : ENGINEERING, CONSTRUCTION, TRANSPORT AND INSTALLATION OF A ROTARY KILN FINAL END DISCHARGE SECTION FOR AN INCINERATION PLANT

SCOPE OF SUPPLY:

- ☞ ENGINEERING
- ☞ ROTARY KILN FINAL END DISCHARGE SECTION – ØINT. 4,5 x 2,36 M :
 - ☞ FINAL END DISCHARGE BOLTED SECTION (COMPLETED OF ARMOUR PLATES)
 - ☞ NEW FLANGED SHELL SECTION
- ☞ MEHCANICAL MACHINING
- ☞ TRANSPORT
- ☞ INSTALLATION





INSTALLATION WORKS







JANUARY 2019 – INSTALLATION SEPTEMBER 2019 :

CLIENT : ***** S.P.A
OBJECT : ENGINEERING, CONSTRUCTION, TRANSPORT AND INSTALLATION SUPERVISION OF A ROTARY KILN FOR THE REACTIVATION OF THE ACTIVATED CARBON

SCOPE OF SUPPLY:

- ☞ ENGINEERING
- ☞ ROTARY KILN – ØINT. 2,1 x 16 M :
- ☞ DRIVE ROLLERS BASEFRAME / FREE ROLLERS BASEFRAME
- ☞ UNLOAD SEALS
- ☞ DISCHARGE HOPPER
- ☞ SYSTEM FOR MONITORING THE TEMPERATURE OF THE MATERIAL INSIDE THE KILN
- ☞ TRANSPORT
- ☞ INSTALLATION SUPERVISION

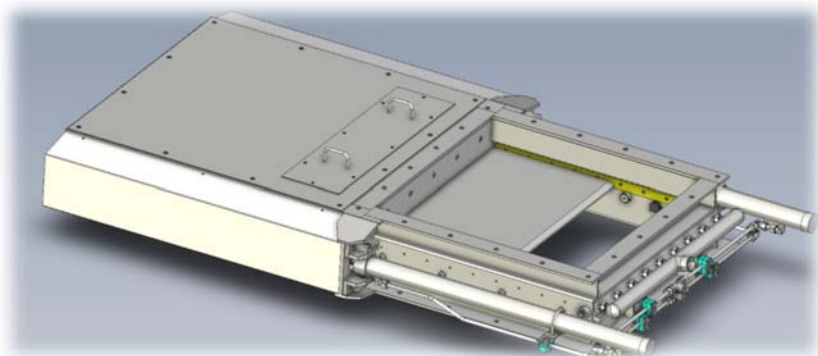


APRIL 2019 – INSTALLATION AUGUST 2019 :

CLIENT : ***** SRL
OBJECT : ENGINEERING, CONSTRUCTION, TRANSPORT AND INSTALLATION SUPERVISION OF N. 2 GUILLOTINE VALVES FOR LOADING CHANNEL OF AN INCINERATION PLANT

SCOPE OF SUPPLY:

- 🔧 ENGINEERING
- 🔧 CONSTRUCTION
- 🔧 HYDRAULIC TEST IN WORKSHOP
- 🔧 TRANSPORT
- 🔧 INSTALLATION SUPERVISION

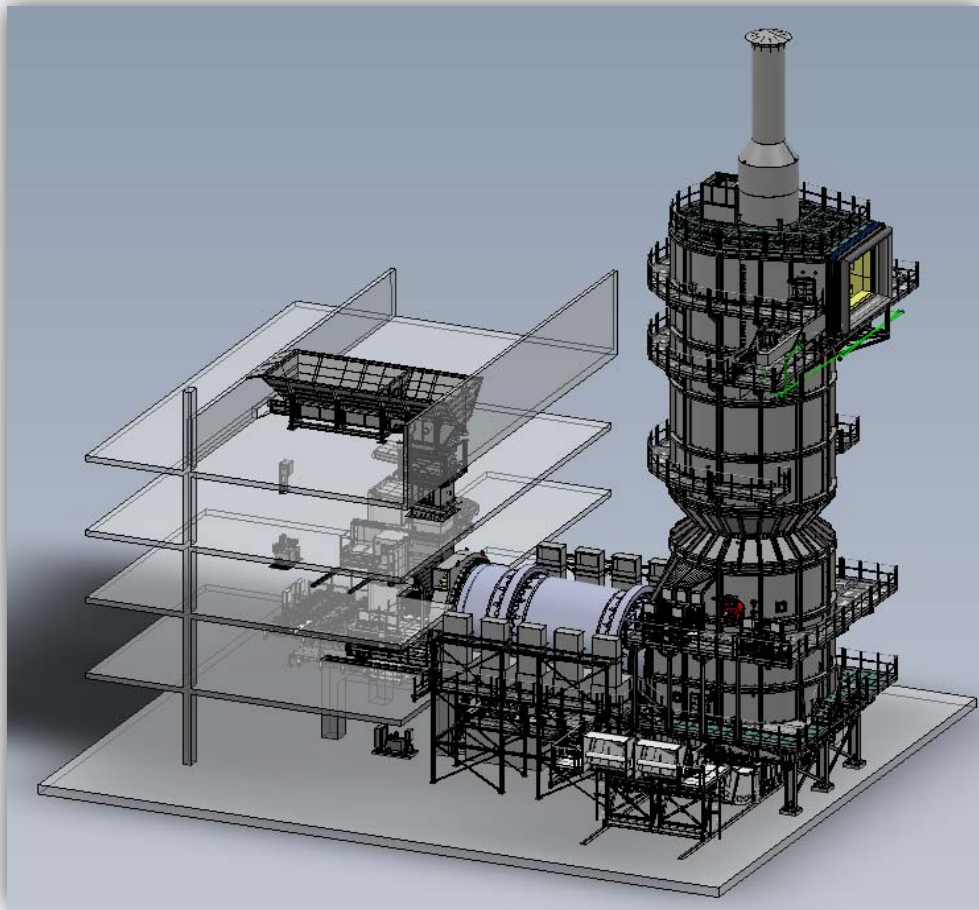


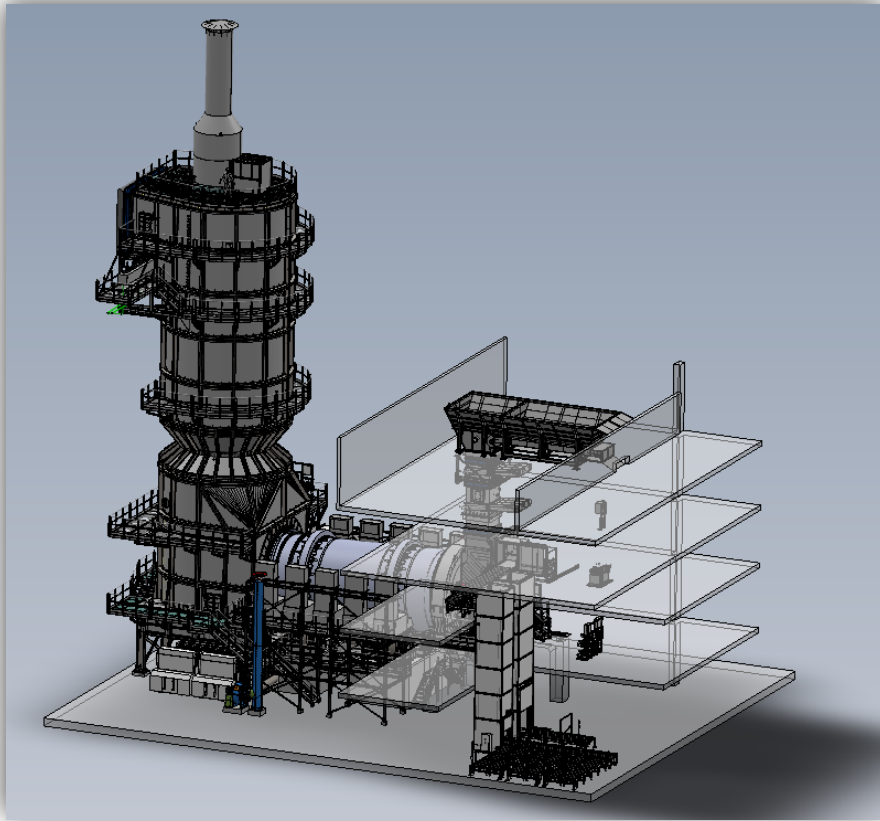
FEBRUARY 2020 – TODAY (INSTALLATION 2021):

CLIENT : *****
OBJECT : ENGINEERING AND CONSTRUCTION OF A HAZARDOUS WASTE THERMOCREATION PLANT, FOR THE TREATMENT OF:
☞ SOLID INDUSTRIAL / MEDICAL WASTES
☞ LIQUID/SOLVENT SPECIAL WASTES

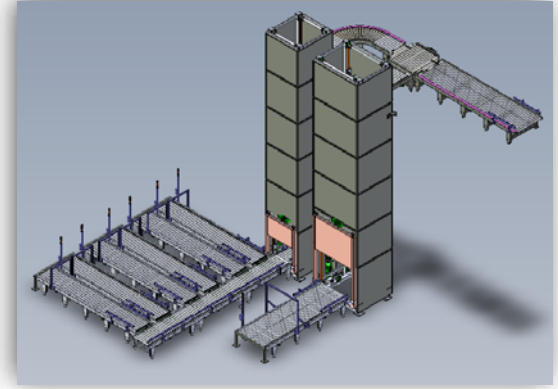
SCOPE OF SUPPLY:

- ☞ WASTES CHARGING SYSTEM
- ☞ PACKED WASTE FEEDING SYSTEM
- ☞ PUSHING GROUP FOR CONTAINERIZED WASTES
- ☞ ROTARY KILN Ø 5.00 x 12.00 M
- ☞ ROTARY KILN COOLING SYSTEM
- ☞ POST-COMBUSTION CHAMBER Ø 7.40 x 30.00 M
- ☞ WET ASH CONVEYOR (REDLER)





PACKED WASTE FEEDING SYSTEM





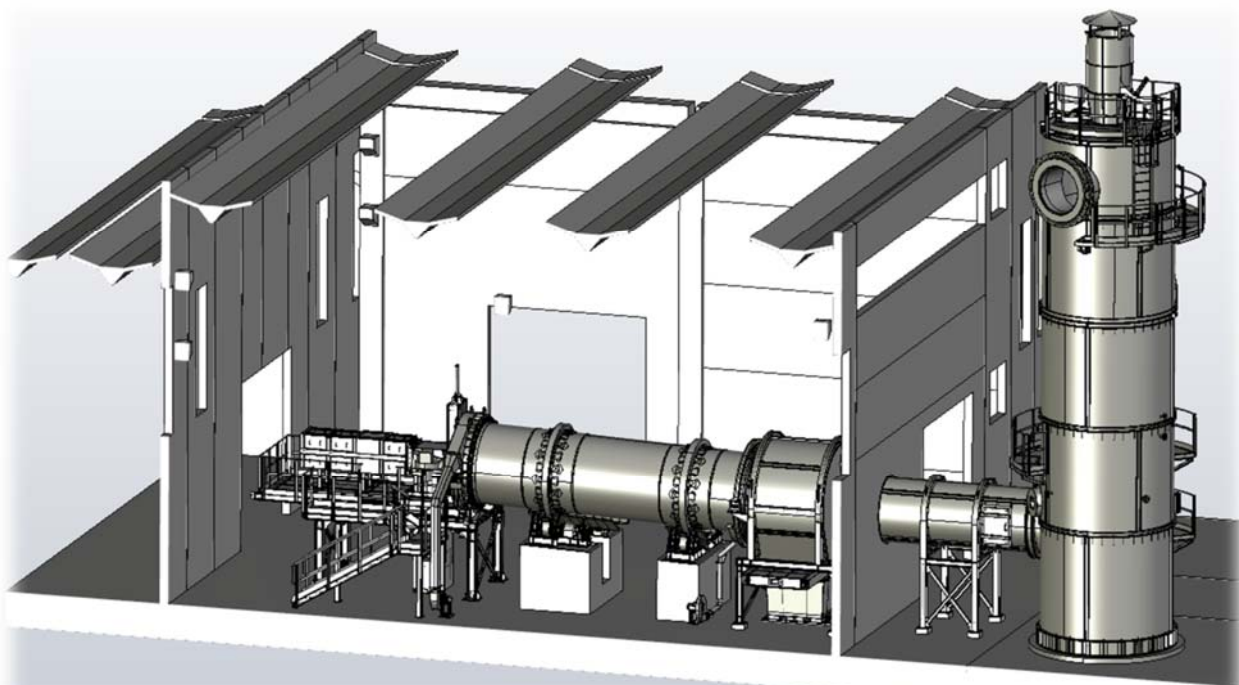


JULY 2020 – TODAY (INSTALLATION 2021) :

CLIENT : ***** S.P.A. [ITALY]
OBJECT : ENGINEERING AND CONSTRUCTION OF A THERMOCOMBUSTION PLANT WITH A POTENTIALITY OF 1.000.000 KCAL/H,
FOR THE TREATMENT OF:
☞ METAL WASTE (FOR THE RECOVERY OF THE PRECIOUS METAL)

SCOPE OF SUPPLY:

- ☞ WASTES CHARGING SYSTEM
- ☞ ROTARY KILN Ø 2.22 x 9.00 M
- ☞ POST-COMBUSTION CHAMBER Ø 3.7 x 12,45 MM
- ☞ DISCHARGING SYSTEM FOR THE TREATED WASTES



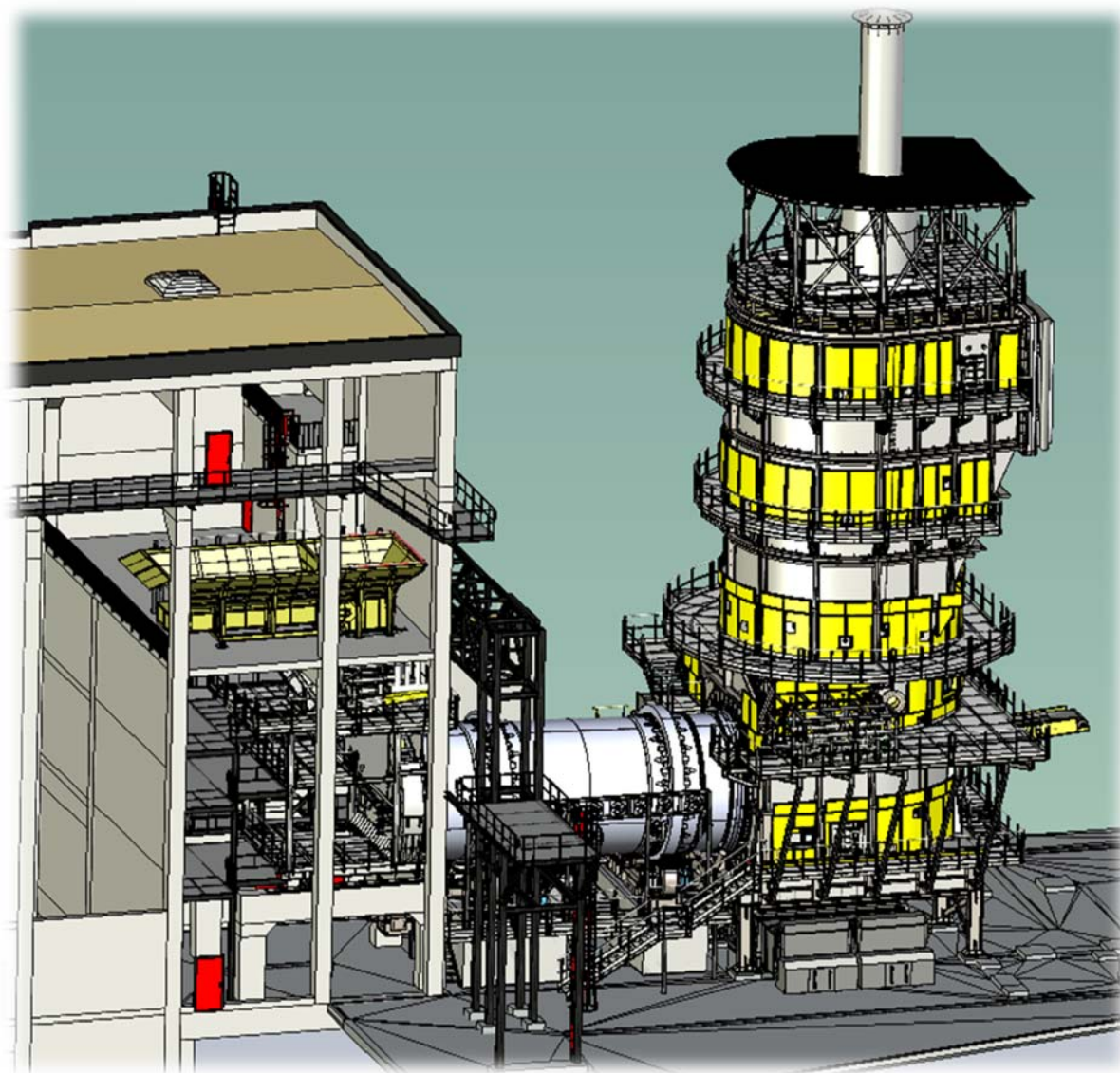


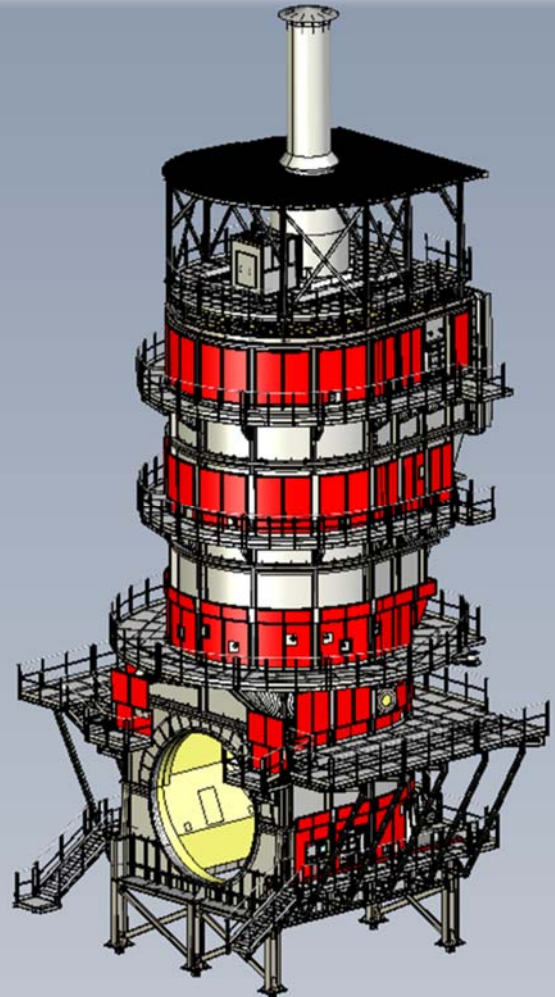
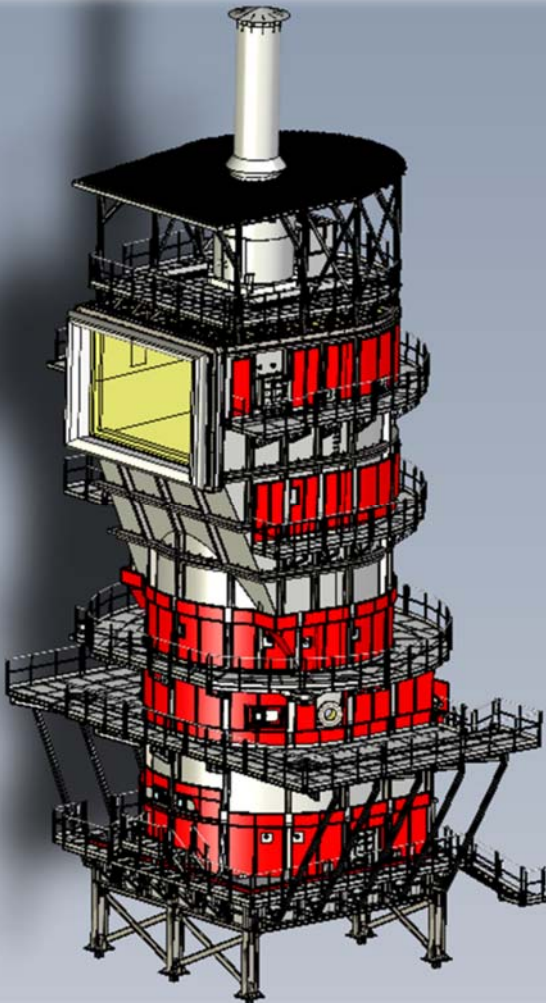
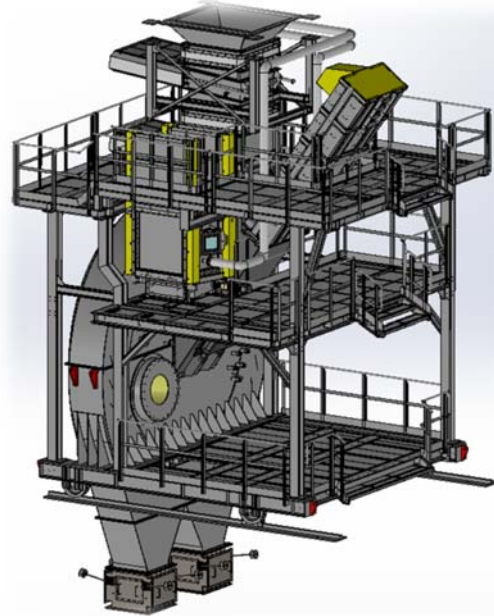
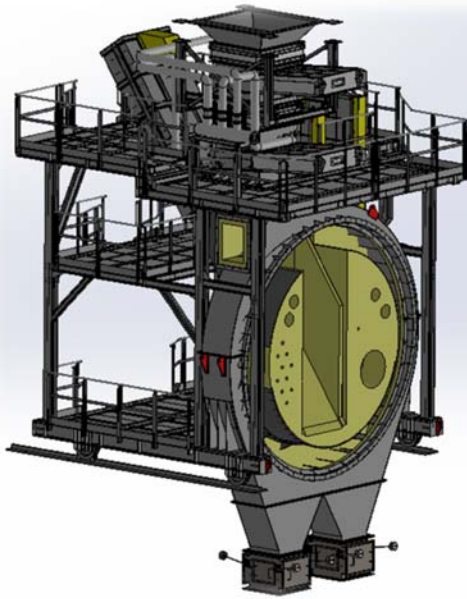
SEPTEMBER 2020 – TODAY (INSTALLATION 2023) :

CLIENT : ***** [NORTH EUROPE]
OBJECT : ENGINEERING AND CONSTRUCTION OF A HAZARDOUS WASTE THERMOCREATION PLANT, FOR THE TREATMENT OF:
☞ SOLID INDUSTRIAL / MEDICAL WASTES
☞ LIQUID/SOLVENT SPECIAL WASTES

SCOPE OF SUPPLY:

- ☞ WASTES CHARGING SYSTEM
- ☞ PACKED WASTE FEEDING SYSTEM
- ☞ ROTARY KILN Ø 5.00 x 13.50 M
- ☞ ROTARY KILN COOLING SYSTEM
- ☞ POST-COMBUSTION CHAMBER Ø 8.30 x 25.20 M
- ☞ WET ASH CONVEYOR (REDLER) / DEFERIZATION SYSTEM



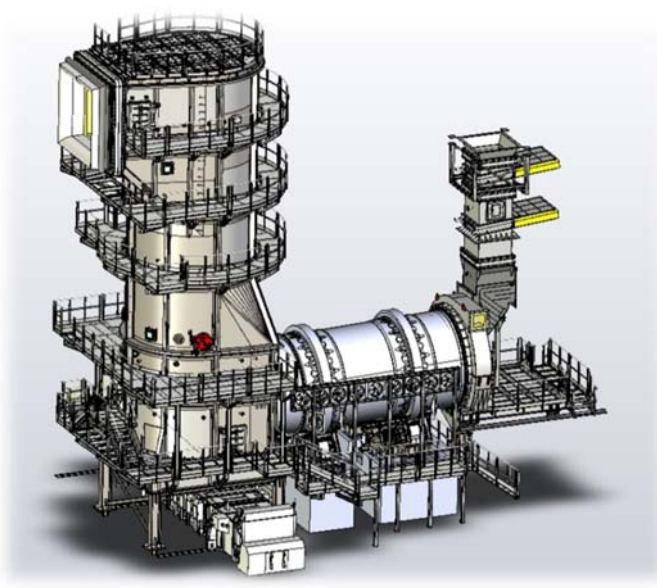
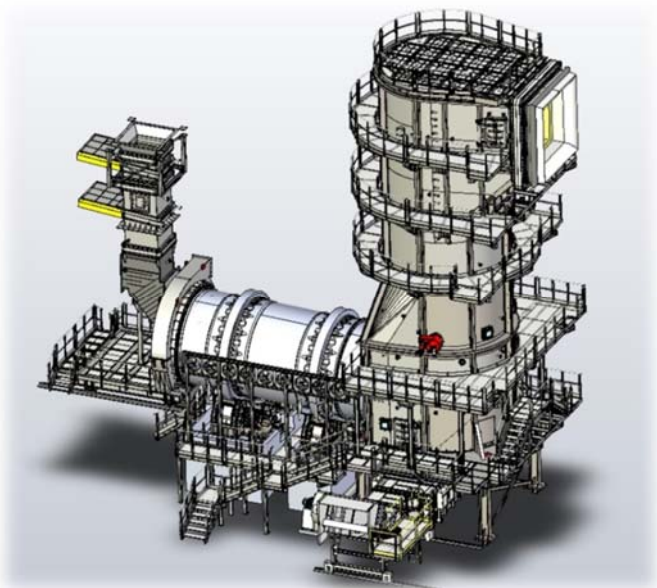


MARCH 2021 – TODAY (INSTALLATION 2022) :

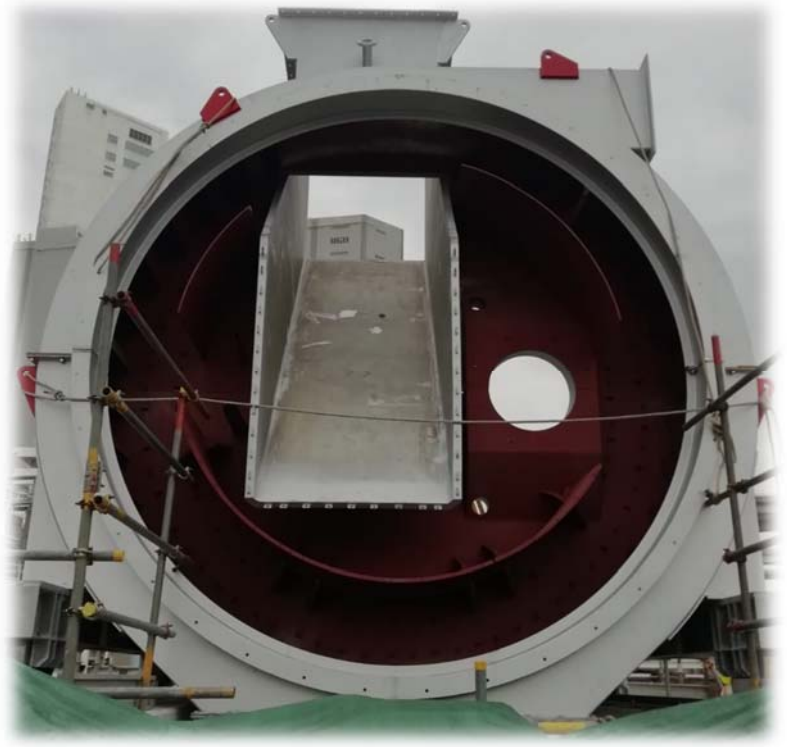
CLIENT : ***** [ASIA]
OBJECT : ENGINEERING AND CONSTRUCTION OF A HAZARDOUS WASTE THERMOCREATION PLANT, FOR THE TREATMENT OF:
☞ SOLID INDUSTRIAL / MEDICAL WASTES
☞ LIQUID/SOLVENT SPECIAL WASTES

SCOPE OF SUPPLY:

- ☞ WASTES CHARGING SYSTEM
- ☞ ROTARY KILN Ø 4.00 x 10.00 M
- ☞ ROTARY KILN COOLING SYSTEM
- ☞ POST-COMBUSTION CHAMBER Ø 5.10 x 20.83 M
- ☞ WET ASH CONVEYOR (REDLER)





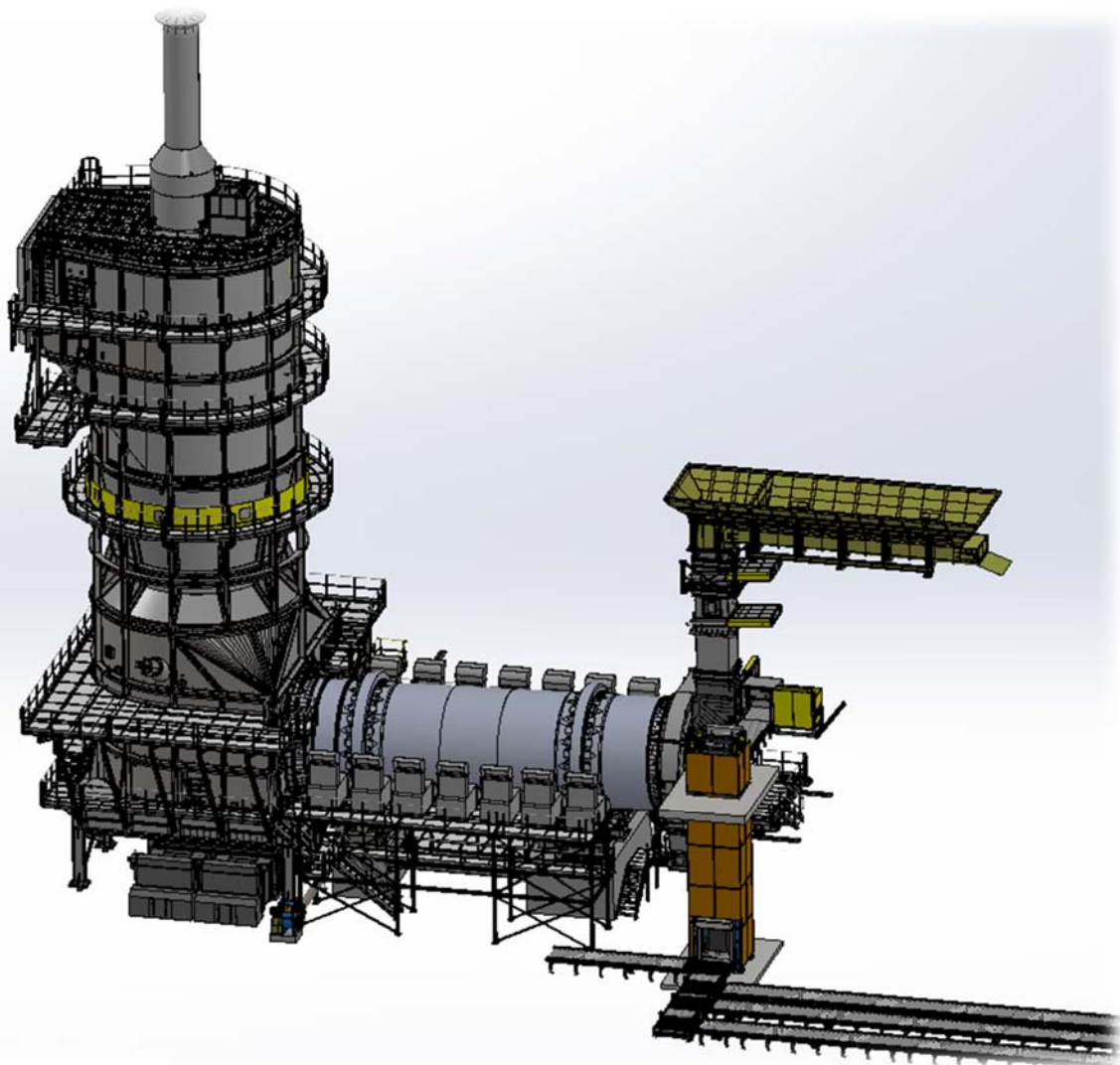


AUGUST 2021 – TODAY (INSTALLATION 2023):

CLIENT : ***** [USA]
OBJECT : ENGINEERING AND CONSTRUCTION OF A HAZARDOUS WASTE THERMOCREATION PLANT, FOR THE TREATMENT OF:
☞ SOLID INDUSTRIAL / MEDICAL WASTES
☞ LIQUID/SOLVENT SPECIAL WASTES

SCOPE OF SUPPLY:

- ☞ WASTES CHARGING SYSTEM
- ☞ PACKED WASTE FEEDING SYSTEM
- ☞ ROTARY KILN Ø 5.00 x 18.00 M
- ☞ ROTARY KILN COOLING SYSTEM
- ☞ POST-COMBUSTION CHAMBER Ø 9.00 x 27.80 M
- ☞ WET ASH CONVEYOR (REDLER)



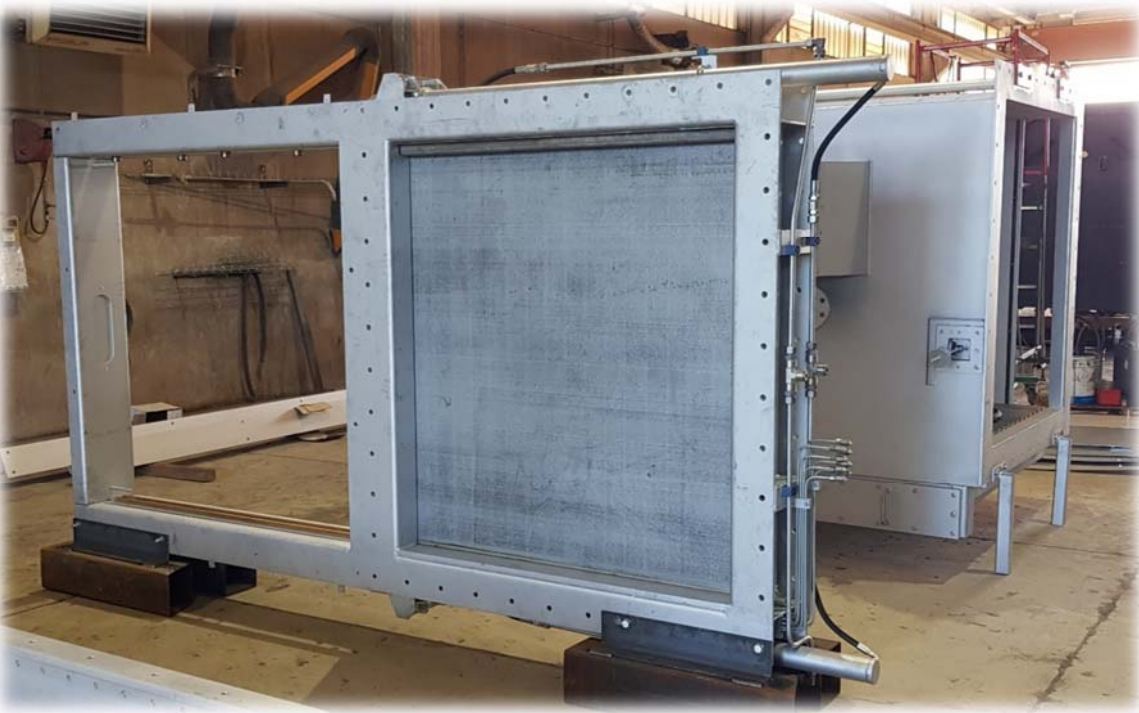






ARDOT, HIGHWAY POLICE TO ASSIST IN TRANSPORT OF 300-TON KILN THROUGH ARKANSAS









DECEMBER 2021 – AUGUST 2022 :

CLIENT : ***** [EUROPE]
OBJECT : ENGINEERING AND CONSTRUCTION OF A LOADING GROUP FOR A HAZARDOUS WASTE THERMOCREATION PLANT, FOR THE TREATMENT OF:
☞ SOLID INDUSTRIAL
☞ LIQUID/SOLVENT SPECIAL WASTES

SCOPE OF SUPPLY:

☞ **WASTES CHARGING SYSTEM :**

- ⇒ RECEIVING HOPPER
- ⇒ UPPER GUILLOTINE VALVE ON LOAD CELLS
- ⇒ TRANSITION CHAMBER
- ⇒ BOTTOM GUILLOTINE VALVE
- ⇒ PUSHER
- ⇒ DROP CHUTE
- ⇒ LOADING HEAD

